

# Portable Fans



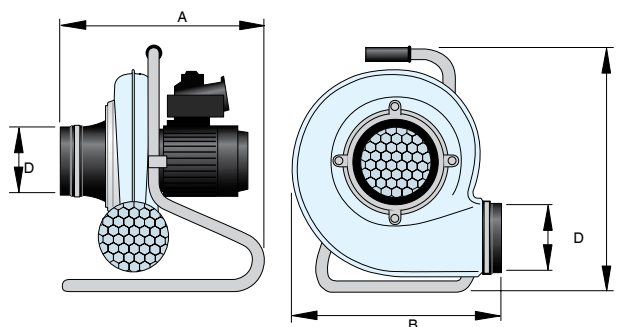
Nederman portable fan is a simple and powerful ventilation unit for service, repair and other temporary work. Ideal as an extractor for welding fumes, steam, dust or for providing fresh air during work in confined and enclosed spaces. A compact and easy to use fan which, in combination with inlet and outlet connections, makes a flexible and versatile unit with a wide range of applications.

- Compact and easy to use
- Stand included, wheel set as accessory
- On/off switch and motor protector included
- Robust and powerful



Dimensions				
Fan	A	B	D	H
N16	430	484	Ø160	550
N24	430	484	Ø160	550

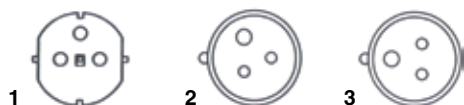
(mm)



Model	*	Electric connection	Airflow, m <sup>3</sup> /h	Voltage, V	Frequency, Hz	Phase	Rated current, A	Power, kW	Connection Ø in/out, mm	Weight, kg	Part no.
N16	1	CEE 7/2 P+E 230 V	500-1200	220/240	50	1	8.7/4.35	0.55	160/160	15	14511321
N16	2	CEE 17/2 P+E 100 V	500-1200	110/120	50	1	8.7/4.35	0.55	160/160	15	14511921
N16	3	CEE 17/2 P+E 230 V	500-1200	220/240	50	1	8.7/4.35	0.55	160/160	15	14512221
N24	1	CEE 7/2 P+E 230V	500-1500	220/240	50	1	11/5.5	0.75	160/160	17	14511322
N24	2	CEE 17/2 P+E 100 V	500-1500	110/120	50	1	11/5.5	0.75	160/160	17	14511922
N24	3	CEE 17/2 P+E 230 V	500-1500	220/240	50	1	11/5.5	0.75	160/160	17	14512222

\* Electric connections

Accessories	Part no.
Hose and nozzle kit for N16/N24 portable fans	14346590
Wheel set for N16 or N24 portable fan	14371707



Nederman also offers Fan Inverters and large capacity NCF fans. For information about these products, please see the Nederman Design Guide, or visit [www.nederman.com](http://www.nederman.com), or contact your nearest Nederman dealer.

Product availability may differ by country