

Extraction Arm Standard

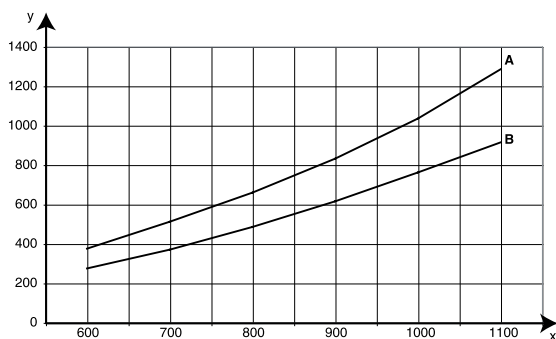


Nederman Extraction Arm Standard is specially designed for working environments with fumes, vapours or non explosive dust, where the demands for higher airflows and temperatures are moderate. Typical workplaces can be welding schools, different types of applications in light production. The applications can be welding, grinding, or other industrial processes where an easily positioned arm is required. The arm is available in two lengths, 2 and 3 m (7 and 10 ft.) and equipped with a high efficiency extraction hood.

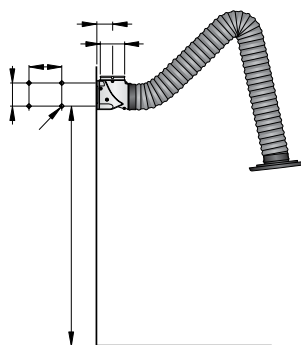


- The arm is flexible in all directions and simple to position
- Designed for wall mounting and suspended by an integrated wall bracket/ 90 degree bend
- Allows rotation of 180 degrees
- Can be equipped with a damper placed in the bend as an accessory
- The hood can be tilted in all directions

Pressure drop



X: airflow m³/h
Y: static pressure Pa
A: 3 m (10 ft.) B: 2 m (7 ft.)



Description	Reach, m	Airflow, m ³ /h	Connection Ø, mm	Max. fume temperature, °C	Noise level at hood, dB(A)	Weight, kg	Part no.
Standard arm 2m	2	600-900	160	70	67	11	10500238
Standard arm 3m	3	600-900	160	70	67	13	10500338

Kit consists of	Part no.
Standard arm 2m + N16 3 phase 230/400V fan + Wall bracket + Fan Manual Starter	10530331
Standard arm 3m + N16 3 phase 230/400V fan + Wall bracket + Fan Manual Starter	10530431