

NOM 11

Oil Mist Filters

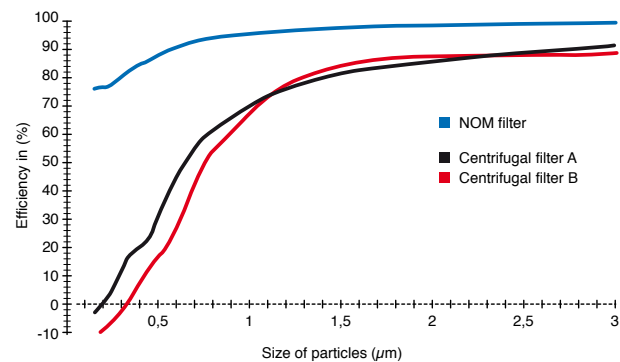
AB Ph. Nederman & Co
Sydhamsngatan 2
SE-252 28, Helsingborg, Sweden
Tel: +46 42 18 87 00, Fax: +46 42 14 79 71



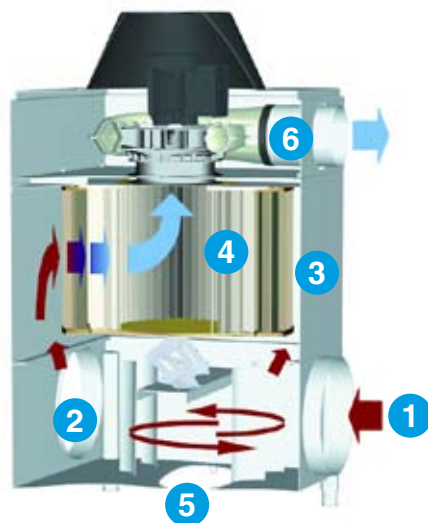
The NOM series filters are designed for applications in bakeries, for machines stamping and pressing steel plates, industrial washing machines, abrasive water jets, etc. In all metal fabrication with oil mist troubles, these filters will fit into a ducting system, connected to each machine. All units are equipped with fan and pressure gauge for control of filters as well as indication for need of cleaning (self draining).

Suitable for emulsions and neat oil. Complies with PM10. (24-hour fine particle standard $35\mu\text{g}/\text{m}^3$, and annual fine particle standard $15\mu\text{g}/\text{m}^3$).

- Superior filtration efficiency
- Low maintenance cost
- Designed to fit into limited workspace
- Self cleaning filter
- Integrated fan



Efficiency of the mainfilter for NOM, compared with typical centrifugal filters, tested with DOP



1. The contaminated air from the process is drawn into the lower chamber.
2. The air starts rotating when passing the turbulatorplates and separates large oil drops.
3. The pre-filter separates most of the largest particles and has a self-draining function, and therefore becomes saturated with oil which means that the filter can handle large amounts of emulsion. The pre-filter is washable. Filtration efficiency $>97,5\%$ for oilmist.
4. The HEPA filter meets the demands from authorities on efficient cleaning. All NOM filters can therefore be equipped with HEPA filter. The HEPA filter is not washable.
5. Return drainage pipe. The oil is drained back to a collecting tank or to the machine.
6. Integrated fan

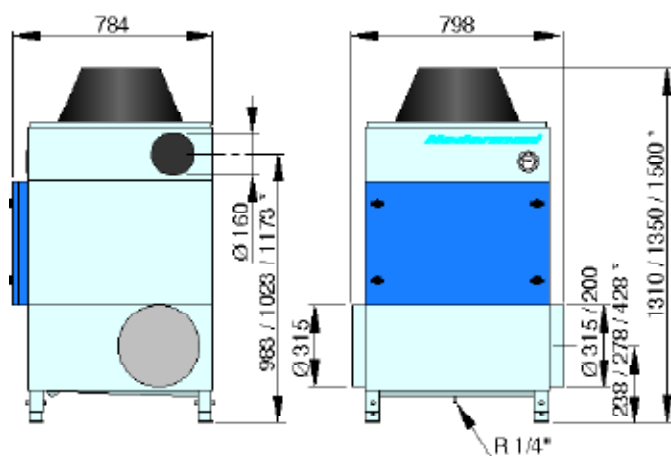
Model	Fan	Voltage V	Phase	HEPA filter	Power kW	Current A	Filterarea m ²	Max. airflow m ³ /h	Part no.
NOM 11	x	230	1		0.75	5	8.5	1100	12620168
NOM 11	x	230	1	x	0.75	5	8.5	1100	12620268
NOM 11	x	400/230	3		0.75	1.73/3.0	8.5	1100	12620568
NOM 11	x	400/230	3	x	0.75	1.73/3.0	8.5	1100	12620668
NOM 11							8.5	1100	12621168
NOM 11				x			8.5	1100	12621268

	Accessory	For NOM 11	Part no.
1	Silencer	X	12373649
2	Silencer		12373650
3	Container with water and oil trap, available in different designs	X	12373651
4	Hose with oil trap	X	12373652

	Replacement filter	For NOM 11	Part no.
	Main filter, 8.5m ²	x 1	12373654
	HEPA-filter, 16m ²	x 1	12373646



NOM 11



*) Measure depending on extension legs position