

TECHNICAL DESCRIPTION, FAN N40, 50 HZ

TECHNICAL DATA

Article no:	14510123
Capacity:	400 - 4000 m ³ /h
Motor power:	2,2 kW
Speed:	2880 rpm
Voltage:	200-240/380-420 V
Phase:	3 ~
Frequency:	50 Hz
Current at market voltage:	7.9/4.56A
Degree of protection:	IP 55
Weight:	29 kg

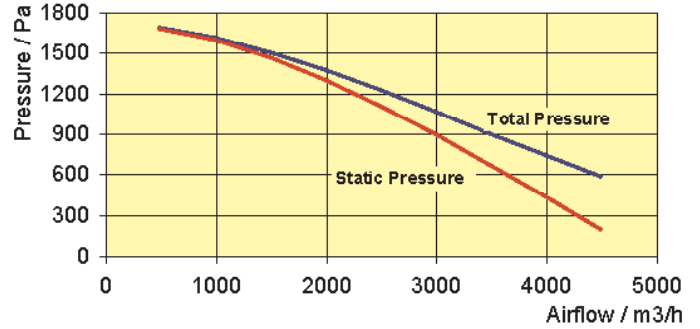
Nederman N40 is a centrifugal fan designed for use with NEDERMAN extraction products. The fan can also be mounted on a stand which is available as an accessory.



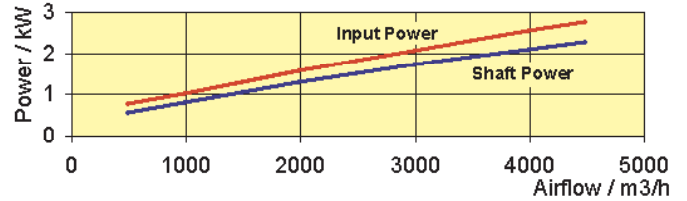
- Working temperature: max. 60 °C
- Ambient temperature: -30°C to +40°C
- Impeller with radial tip blades
- Material:
Fan casings: sheet metal steel
Impeller: die cast aluminium
- Surface treatment: epoxy polyester powder paint
- The fan is manufactured in accordance with the following standards or other normative documents: 98/37/EC, 73/23/EEC and 89/336/EEC.

The graphs are according to ducts connected to the inlet and exhaust side of the fan. Air density = 1,2 kg/m³

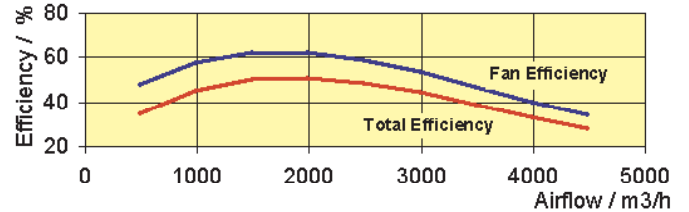
FAN DIAGRAM



POWER

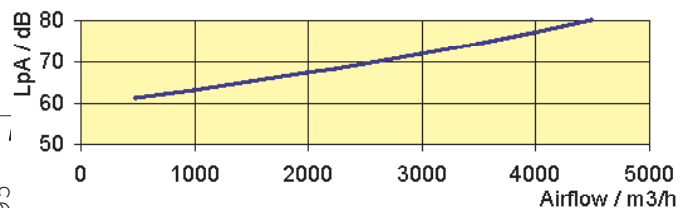


EFFICIENCY

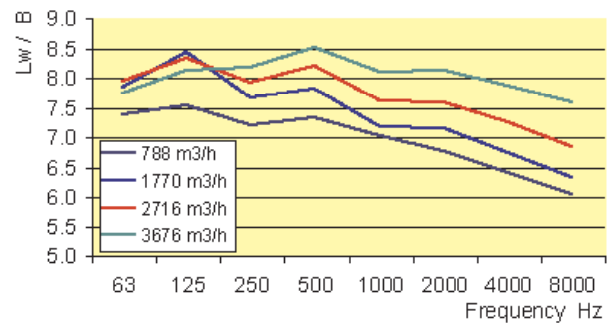


The efficiency concerns the fan without a motor.

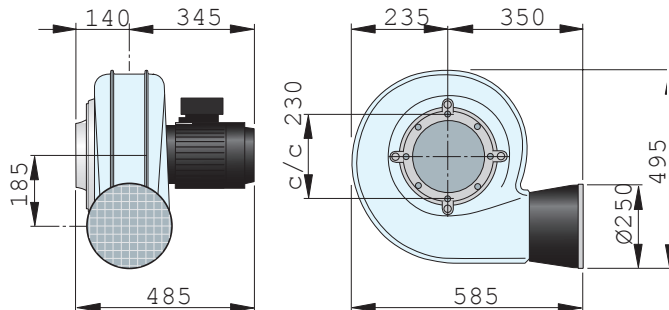
SOUND PRESSURE LEVEL



SOUND POWER LEVEL



DIMENSIONS



WARNING!

Risk of fire or explosion! The fan must not be used in an environment with danger of explosion or for transport of inflammable or explosive gases.