

Technical Description, FAN N29, 50 HZ, 3~, 2,2 kW

TECHNICAL DATA

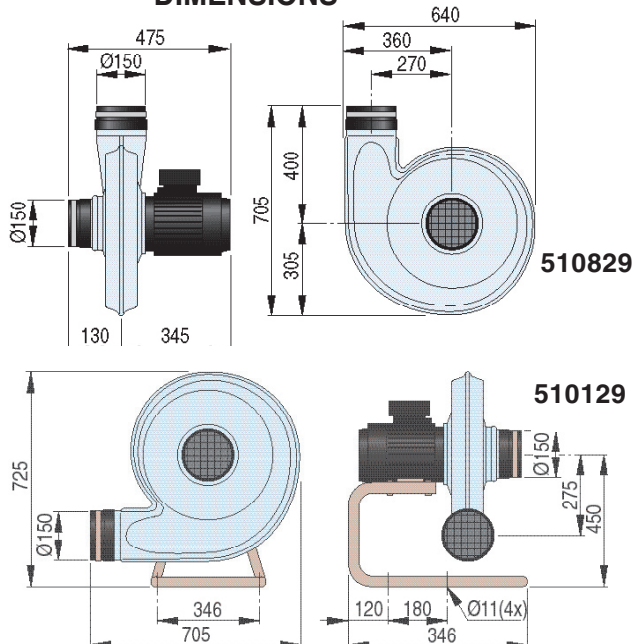
Article no:	14510129, with stand 14510829, without stand
Capacity:	Up to 3000 m ³ /h
Motor power:	2,2 kW
Speed:	2880 rpm
Voltage:	220-240/380-420 V
Phase:	3 ~
Frequency:	50 Hz
Current at market voltage:	7.9/4.6 A
Degree of protection:	IP 55
Weight:	32 kg

Nederman N29 is a centrifugal fan designed for use with NEDERMAN extraction products. When equipped with a stand, the fan may be used standing by itself. The fan without a stand is designed to fit on the NEDERMAN Filterboxes.



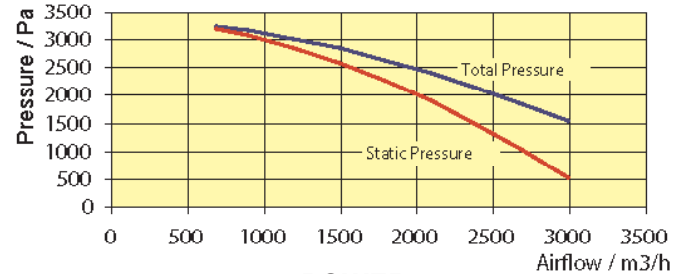
- Working temperature: max. 60 °C
- Ambient temperature: -30°C to +40°C
- Impeller with radial tip blades
- Material:
Fan casings: Sheet metal steel
Impeller: Sheet metal steel
- Surface treatment: epoxy polyester powder paint
- The fan is manufactured in accordance with the following standards or other normative documents: 98/37/EC, 2006/95/EC and 2004/108/EC.

DIMENSIONS

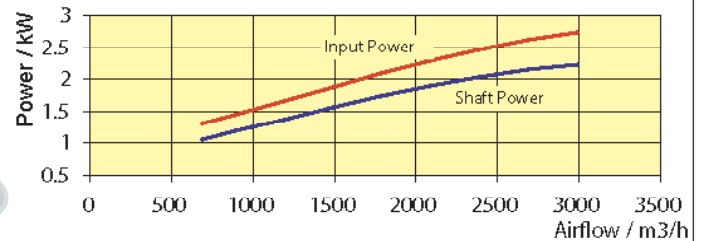


The graphs are according to ducts connected to the inlet and exhaust side of the fan. Air density = 1,2 kg/m³

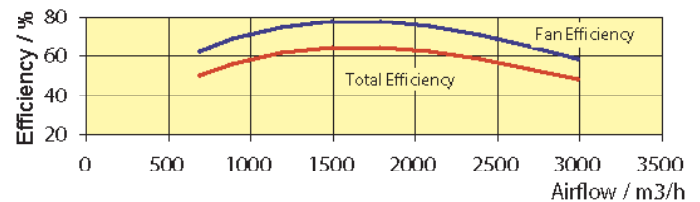
FAN DIAGRAM



POWER

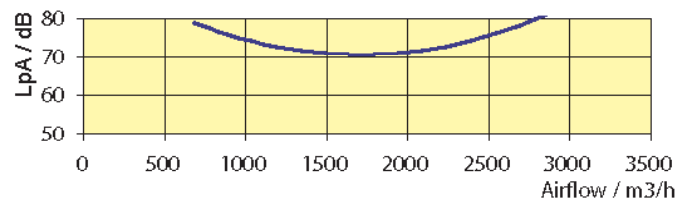


EFFICIENCY



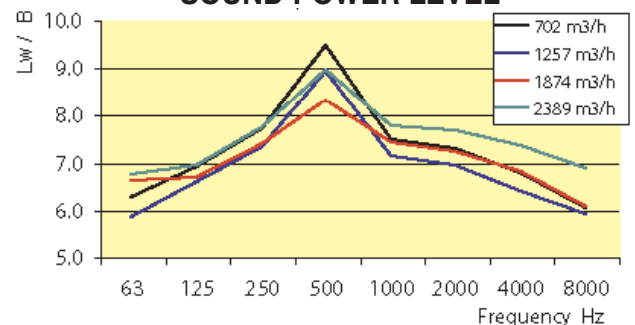
The efficiency concerns the fan without a motor.

SOUND PRESSURE LEVEL



According to ISO 11203.
Tolerance ± 3 dB

SOUND POWER LEVEL



According to ISO 3741.
Tolerance ± 3 dB.

WARNING!

Risk of fire or explosion! The fan must not be used in an environment with danger of explosion or for transport of inflammable or explosive gases.