

Technical Description FAN N16, 50 HZ, 1~

TECHNICAL DATA

Part No:	14510121
Capacity:	Up to 1250 m ³ /h
Motor power:	0.55 kW
Speed:	2720 rpm
Voltage:	110-120/220-240 V
Phase:	1 ~
Frequency:	50 Hz
Current at market voltage:	8.7/4.35 A
Degree of protection:	IP 55
Weight:	14.7 kg

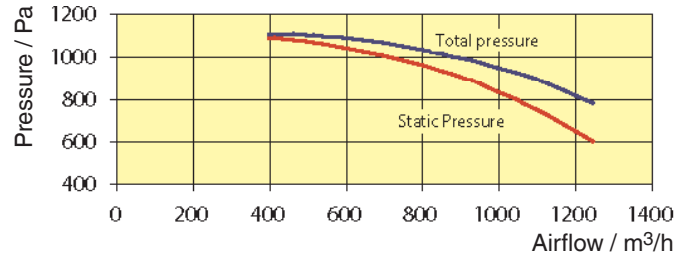
Nederman N16 is a centrifugal fan designed for use with NEDERMAN extraction products. The fan can also be mounted on a stand which is available as an accessory.



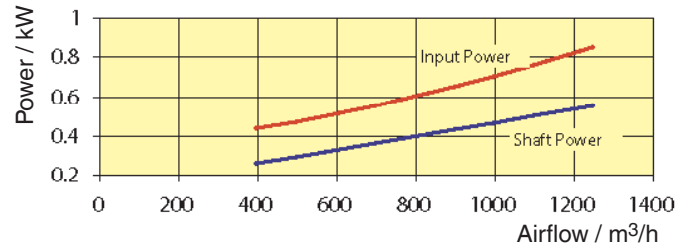
- Working temperature: max. 60 °C
- Ambient temperature: -30°C to +40°C
- Impeller with radial tip blades
- Material:
Fan casings: galvanised sheet steel
Impeller: die cast aluminium
- Surface treatment: epoxypolyester powder paint
- The fan is manufactured in accordance with the following standards or other normative documents: 98/37/EC, 2006/95/EC and 2004/108/EC.

The graphs are according to ducts connected to the inlet and exhaust side of the fan. Air density = 1,2 kg/m³

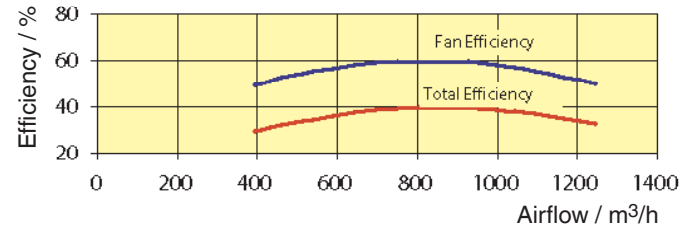
FAN DIAGRAM



POWER

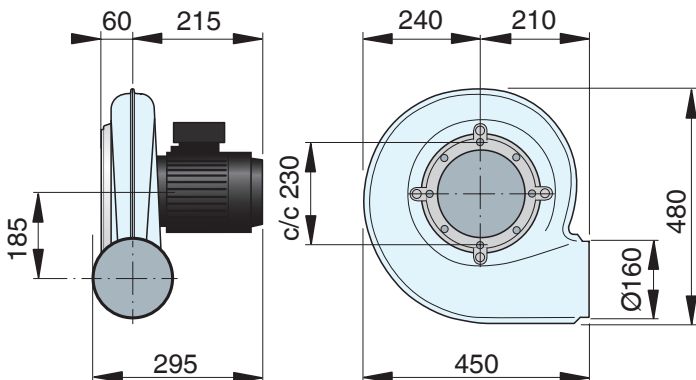


EFFICIENCY

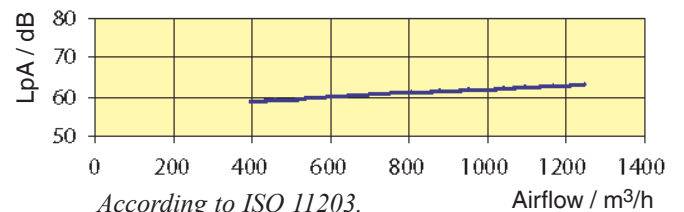


The efficiency concerns the fan without a motor.

DIMENSIONS

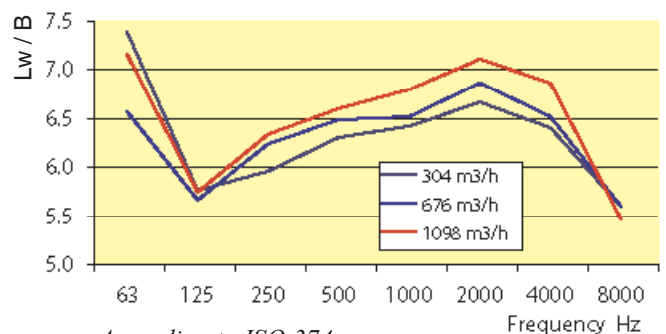


SOUND PRESSURE LEVEL



According to ISO 11203.
Tolerance ± 3 dB.

SOUND POWER LEVEL



According to ISO 374.
Tolerance ± 3 dB.

WARNING!

Risk of fire or explosion! The fan must not be used in an environment with danger of explosion or for transport of inflammable or explosive gases.